

# Pressure Gauge with Fixed Contacts

Series: EEPG

Model: 40/50/63-CBM-NF

## Features

EEPG-40/50/63-CBM-NF Pressure Gauge with Fixed Contacts:

The EEPG-40/50/63 Non-Contact Type Pressure Gauge with Fixed Switches is manufactured under the FTB-Developed and Patent-Pending Technology for the core contact system of the gauge using the "non-contact" sensing system as the major device to keep the switchings more smooth, accurate, quick, and thus make the life-span longer.

Pressure gauge with non-contact sensor works best for the applications where pressure switches are necessary. Because of the benefits of a combination of a high quality pressure gauge with FTB Patent-Pending "non-contact" Technology, the EEPG-40/50/63 performs merely no tolerances for the pressures setup on EEPG-40/50/63. This is because of the integration of a non-contact sensor built inside the quality FTB pressure gauge to minimize the tolerances for both devices. The fixed contact version is the contacts preset at our factory for customers' requirement.

Non-Contact Sensor built inside the quality FTB pressure gauge provides a perfect system without the concerns of the contact burning phenomenon for contact type switch.

Quick operating and releasing time to meet the requirements for quick operations from the applications such as rubber injection machines and other applications.



EEPG-63-CBM-NF

## SPECIFICATIONS

### Case & Flange

Steel with Chrome-Plated

### Contact Accuracy

$<\pm 0.5\%$

### Pressure Units

PSI, BAR, KPA, MPA, Kg, kPa

### Pressure Ranges

0-1000 Kg in between

### Accuracy

$<\pm 2.0\%$

### Connection & Internals (Bourdon Tube & Movement)

Brass 1/8" or 1/4" NPT, PT, PF with Optional SS 316

### Contact and Power Rating

Type of Contact: A (NO), B (NC)

No. of Contacts: Single or Double Contacts

Contact Form: SPST Form B

Power: 24 VDC

Contact Rating: 10 VA

Switching Current: 0.42A DC

Carrying Current: 0.42A DC

## APPLICATIONS

Refrigeration and Automation

Pumps and Valves

Pneumatics and Hydraulics

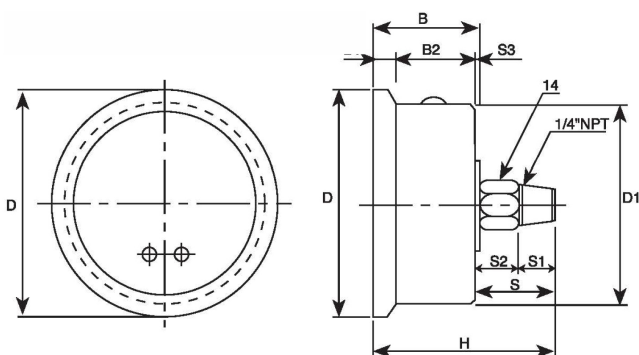
Waste Water Treatment Industry

Agricultural Machinery

Food Industry

Petroleum and Irrigation Systems

## Dimensions in mm



Model	D	B	D1	B2	H
EEPG-40	48	26.5	41	19	45
EEPG-50	57	27	51	19	45
EEPG-63	71	32	63	24.5	58.5